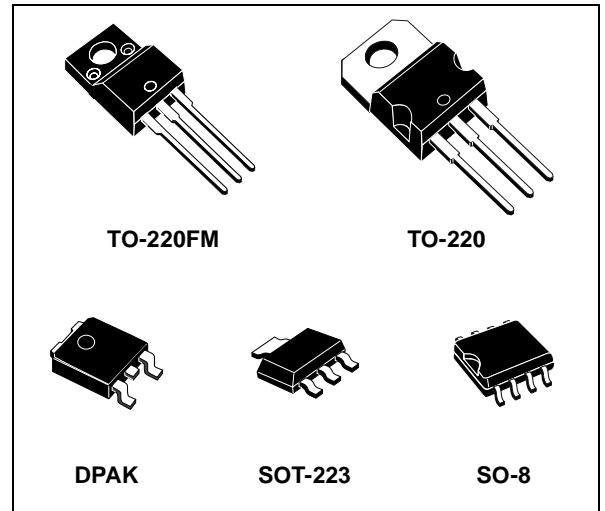


LOW DROP FIXED AND ADJUSTABLE POSITIVE VOLTAGE REGULATORS

- LOW DROPOUT VOLTAGE (1V TYP.)
- 2.85V DEVICE PERFORMANCES ARE SUITABLE FOR SCSI-2 ACTIVE TERMINATION
- OUTPUT CURRENT UP TO 800 mA
- FIXED OUTPUT VOLTAGE OF: 1.2V, 1.8V, 2.5V, 2.85V, 3.0V, 3.3V, 5.0V
- ADJUSTABLE VERSION AVAILABILITY ($V_{ref}=1.25V$)
- INTERNAL CURRENT AND THERMAL LIMIT
- AVAILABLE IN $\pm 1\%$ (AT 25°C) AND 2% IN FULL TEMPERATURE RANGE
- SUPPLY VOLTAGE REJECTION: 75dB (TYP.)

DESCRIPTION

The LD1117 is a LOW DROP Voltage Regulator able to provide up to 800mA of Output Current, available even in adjustable version ($V_{ref}=1.25V$). Concerning fixed versions, are offered the following Output Voltages: 1.2V, 1.8V, 2.5V, 2.85V, 3.0V, 3.3V and 5.0V. The 2.85V type is ideal for SCSI-2 lines active termination. The device is supplied in: SOT-223, DPAK, SO-8, TO-220 and TO-220FM. The SOT-223 and DPAK surface mount packages optimize the thermal characteristics even offering a relevant space saving effect. High efficiency is assured by NPN



pass transistor. In fact in this case, unlike than PNP one, the Quiescent Current flows mostly into the load. Only a very common 10 μ F minimum capacitor is needed for stability. On chip trimming allows the regulator to reach a very tight output voltage tolerance, within $\pm 1\%$ at 25°C. The ADJUSTABLE LD1117 is pin to pin compatible with the other standard. Adjustable voltage regulators maintaining the better performances in terms of Drop and Tolerance.

Figure 1: Block Diagram

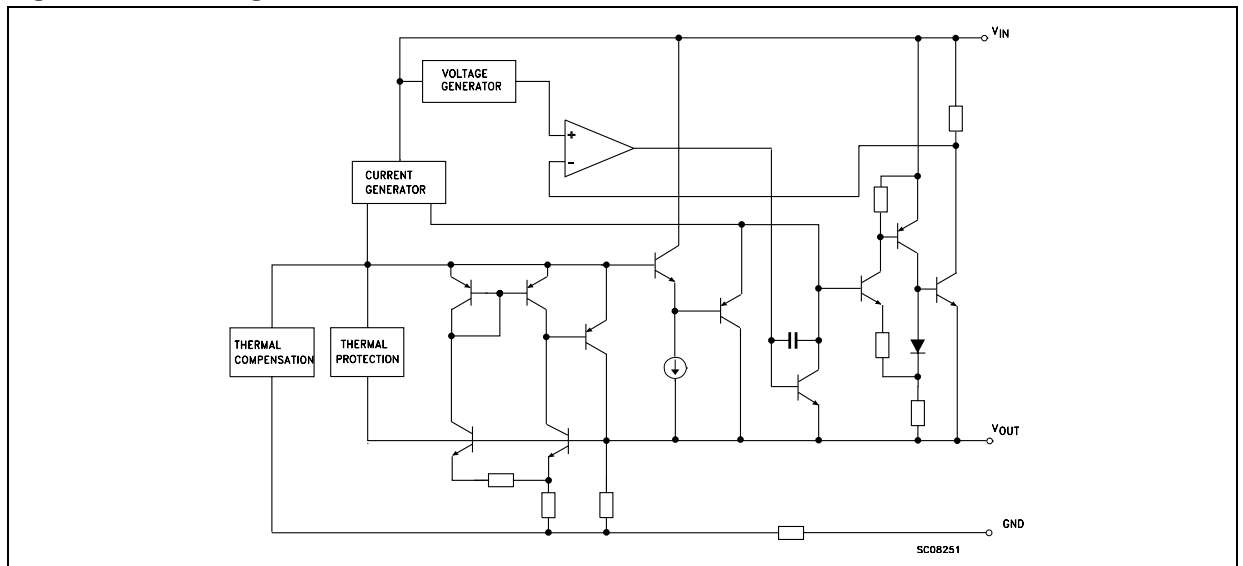
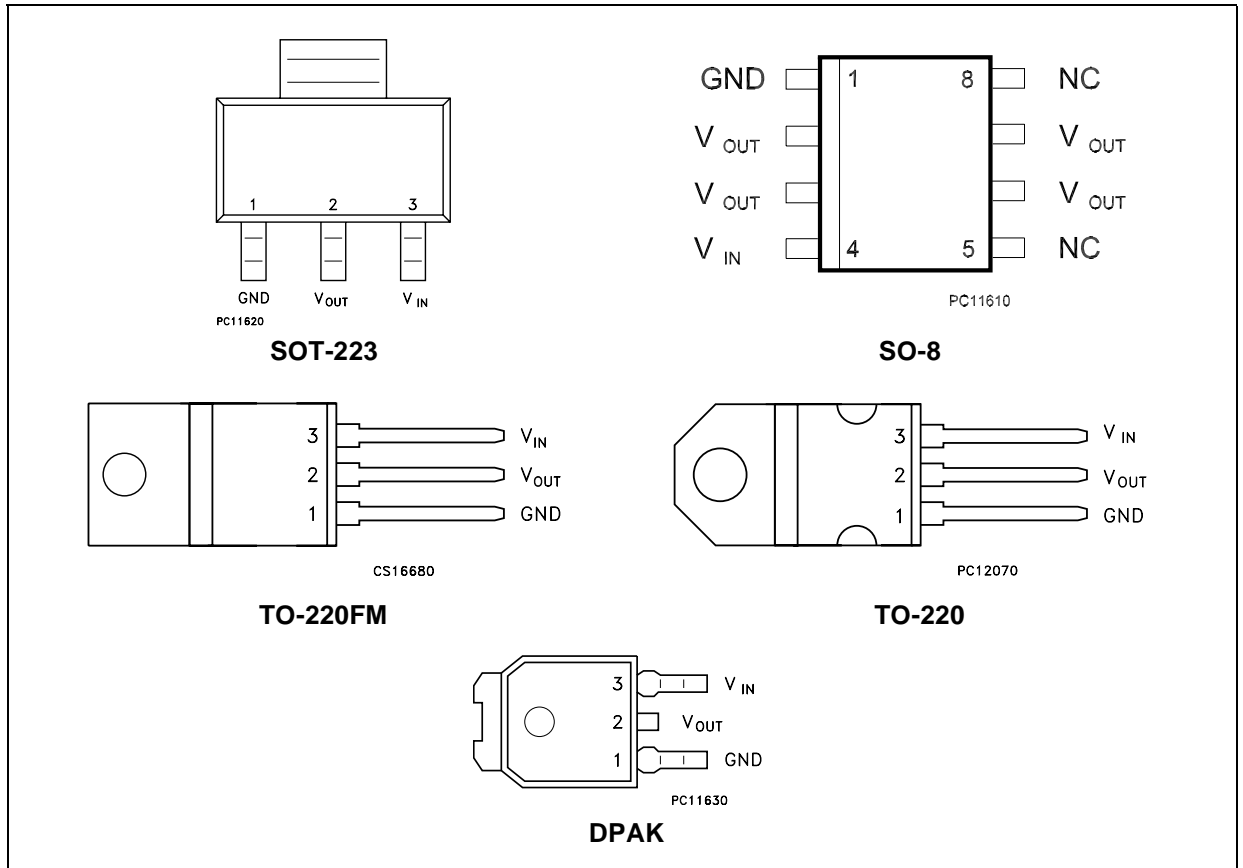


Figure 2: Pin Connection (top view)



NOTE: The TAB is connected to the V_{OUT}.

Table 1: Order Codes

| SOT-223 | SO-8 | DPAK | TO-220 | TO-220FM | OUTPUT VOLTAGE |
|----------------|----------------|-------------|----------------|----------------|----------------------|
| LD1117S12 | LD1117D12 (*) | LD1117DT12 | LD1117V12 (*) | LD1117F12 (*) | 1.2 V |
| LD1117S12C (*) | LD1117D12C (*) | LD1117DT12C | LD1117V12C (*) | LD1117F12C (*) | 1.2 V |
| LD1117S18 | LD1117D18 | LD1117DT18 | LD1117V18 | LD1117F18 | 1.8 V |
| LD1117S18C | LD1117D18C | LD1117DT18C | LD1117V18C | LD1117F18C | 1.8 V |
| LD1117S25 | LD1117D25 | LD1117DT25 | LD1117V25 | LD1117F25 | 2.5 V |
| LD1117S25C | LD1117D25C | LD1117DT25C | LD1117V25C | LD1117F25C | 2.5 V |
| LD1117S28 | LD1117D28 | LD1117DT28 | LD1117V28 | LD1117F28 | 2.85 V |
| LD1117S30 | LD1117D30 | LD1117DT30 | LD1117V30 | LD1117F30 | 3 V |
| LD1117S30C | LD1117D30C | LD1117DT30C | LD1117V30C | LD1117F30C | 3 V |
| LD1117S33 | LD1117D33 | LD1117DT33 | LD1117V33 | LD1117F33 | 3.3 V |
| LD1117S33C | LD1117D33C | LD1117DT33C | LD1117V33C | LD1117F33C | 3.3 V |
| LD1117S50 | LD1117D50 | LD1117DT50 | LD1117V50 | LD1117F50 | 5 V |
| LD1117S50C | LD1117D50C | LD1117DT50C | LD1117V50C | LD1117F50C | 5 V |
| LD1117S | LD1117D | LD1117DT | LD1117V | LD1117F | ADJ FROM 1.25 TO 15V |
| LD1117SC | LD1117DC | LD1117DTC | LD1117VC | LD1117FC | ADJ FROM 1.25 TO 15V |

(*) Available on request

Table 2: Absolute Maximum Ratings

| Symbol | Parameter | Value | Unit |
|-----------|--------------------------------------|----------------------|-------------|
| V_{IN} | DC Input Voltage | 15 | V |
| P_{tot} | Power Dissipation | 12 | W |
| T_{stg} | Storage Temperature Range | -40 to +150 | °C |
| T_{op} | Operating Junction Temperature Range | for C Version | -40 to +125 |
| | | for standard Version | 0 to +125 |

Absolute Maximum Ratings are those values beyond which damage to the device may occur. Functional operation under these condition is not implied. Over the above suggested Max Power Dissipation a Short Circuit could definitively damage the device.

Table 3: Thermal Data

| Symbol | Parameter | SOT-223 | SO-8 | PAK | TO-220 | TO-220FM | Unit |
|----------------|-------------------------------------|---------|------|-----|--------|----------|------|
| $R_{thj-case}$ | Thermal Resistance Junction-case | 15 | 20 | 8 | 3 | 4 | °C/W |
| $R_{thj-amb}$ | Thermal Resistance Junction-ambient | | | | 50 | 60 | °C/W |

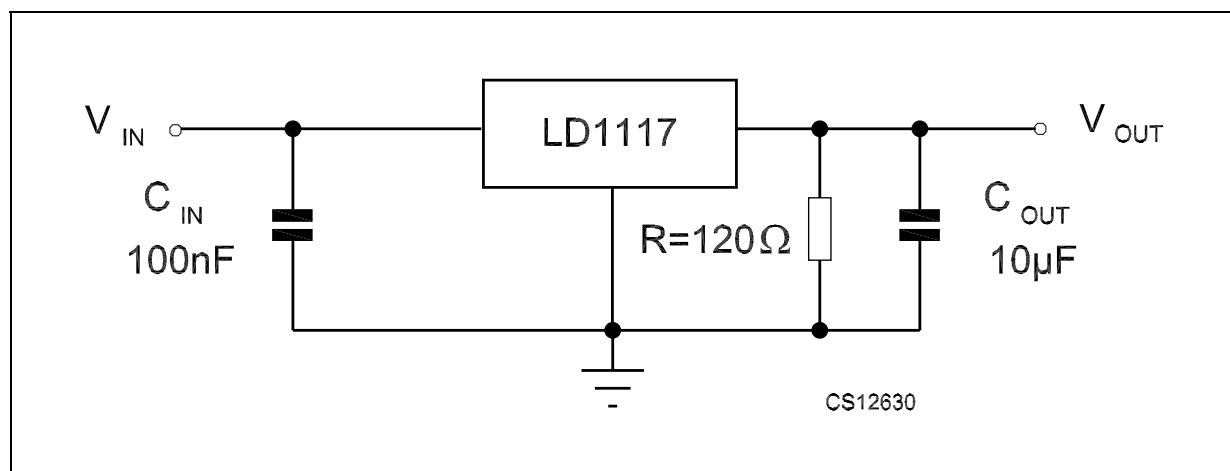
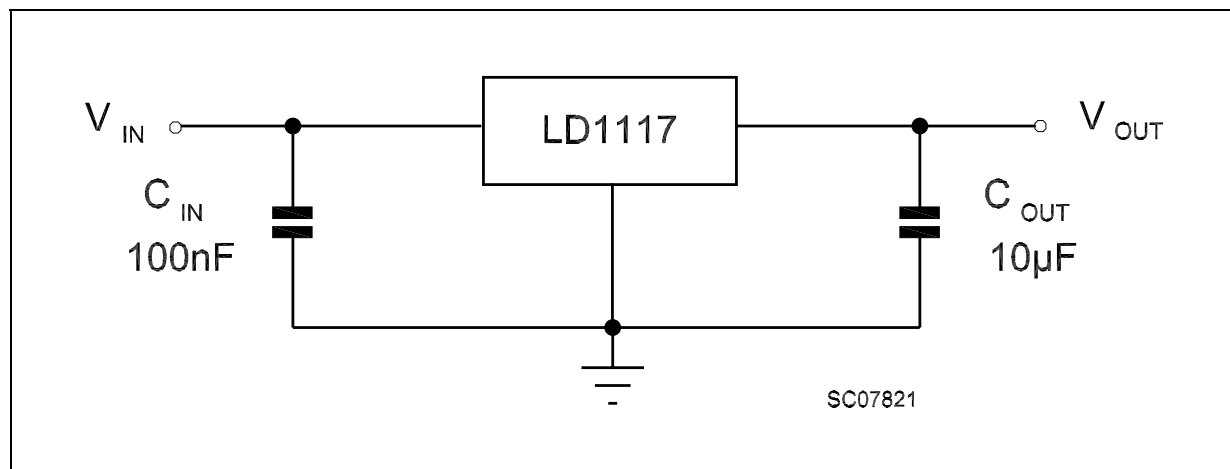
Figure 3: Application Circuit (FOR 1.2 V)**Figure 4: Application Circuit (FOR OTHER FIXED OUTPUT VOLTAGES)**

Table 4: Electrical Characteristics Of LD1117#12 (refer to the test circuits, $T_J = 0$ to 125°C , $C_O = 10\ \mu\text{F}$, $R = 120\ \Omega$ between GND and OUT pins, unless otherwise specified)

| Symbol | Parameter | Test Conditions | Min. | Typ. | Max. | Unit |
|------------------|-------------------------------|---|-------|-------|-------|---------------|
| V_O | Output Voltage | $V_{in} = 3.2\ \text{V}$ $I_O = 10\ \text{mA}$ $T_J = 25^\circ\text{C}$ | 1.188 | 1.20 | 1.212 | V |
| V_O | Reference Voltage | $I_O = 10$ to $800\ \text{mA}$ $V_{in} - V_O = 1.4$ to $10\ \text{V}$ | 1.140 | 1.20 | 1.260 | V |
| ΔV_O | Line Regulation | $V_{in} - V_O = 1.5$ to $13.75\ \text{V}$ $I_O = 10\ \text{mA}$ | | 0.035 | 0.2 | % |
| ΔV_O | Load Regulation | $V_{in} - V_O = 3\ \text{V}$ $I_O = 10$ to $800\ \text{mA}$ | | 0.1 | 0.4 | % |
| ΔV_O | Temperature Stability | | | 0.5 | | % |
| ΔV_O | Long Term Stability | 1000 hrs, $T_J = 125^\circ\text{C}$ | | 0.3 | | % |
| V_{in} | Operating Input Voltage | | | | 15 | V |
| I_{adj} | Adjustment Pin Current | $V_{in} \leq 15\ \text{V}$ | | 60 | 120 | μA |
| ΔI_{adj} | Adjustment Pin Current Change | $V_{in} - V_O = 1.4$ to $10\ \text{V}$ $I_O = 10$ to $800\ \text{mA}$ | | 1 | 5 | μA |
| $I_{O(min)}$ | Minimum Load Current | $V_{in} = 15\ \text{V}$ | | 2 | 5 | mA |
| I_O | Output Current | $V_{in} - V_O = 5\ \text{V}$ $T_J = 25^\circ\text{C}$ | 800 | 950 | 1300 | mA |
| eN | Output Noise (% V_O) | $B = 10\text{Hz}$ to 10KHz $T_J = 25^\circ\text{C}$ | | 0.003 | | % |
| SVR | Supply Voltage Rejection | $I_O = 40\ \text{mA}$ $f = 120\text{Hz}$ $T_J = 25^\circ\text{C}$ $V_{in} - V_O = 3\ \text{V}$ $V_{ripple} = 1\ \text{V}_{PP}$ | 60 | 75 | | dB |
| V_d | Dropout Voltage | $I_O = 100\ \text{mA}$ | | 1 | 1.1 | V |
| | | $I_O = 500\ \text{mA}$ | | 1.05 | 1.15 | |
| | | $I_O = 800\ \text{mA}$ | | 1.10 | 1.2 | |
| | Thermal Regulation | $T_a = 25^\circ\text{C}$ 30ms Pulse | | 0.01 | 0.1 | %/W |

Table 5: Electrical Characteristics Of LD1117#18 (refer to the test circuits, $T_J = 0$ to 125°C , $C_O = 10\ \mu\text{F}$ unless otherwise specified)

| Symbol | Parameter | Test Conditions | Min. | Typ. | Max. | Unit |
|--------------|--------------------------|---|------|------|------|---------------|
| V_O | Output Voltage | $V_{in} = 3.8\ \text{V}$ $I_O = 10\ \text{mA}$ $T_J = 25^\circ\text{C}$ | 1.78 | 1.8 | 1.82 | V |
| V_O | Output Voltage | $I_O = 0$ to $800\ \text{mA}$ $V_{in} = 3.3$ to $8\ \text{V}$ | 1.76 | | 1.84 | V |
| ΔV_O | Line Regulation | $V_{in} = 3.3$ to $8\ \text{V}$ $I_O = 0\ \text{mA}$ | | 1 | 6 | mV |
| ΔV_O | Load Regulation | $V_{in} = 3.3\ \text{V}$ $I_O = 0$ to $800\ \text{mA}$ | | 1 | 10 | mV |
| ΔV_O | Temperature Stability | | | 0.5 | | % |
| ΔV_O | Long Term Stability | 1000 hrs, $T_J = 125^\circ\text{C}$ | | 0.3 | | % |
| V_{in} | Operating Input Voltage | $I_O = 100\ \text{mA}$ | | | 10 | V |
| I_d | Quiescent Current | $V_{in} \leq 8\ \text{V}$ | | 5 | 10 | mA |
| I_O | Output Current | $V_{in} = 6.8\ \text{V}$ $T_J = 25^\circ\text{C}$ | 800 | 950 | 1300 | mA |
| eN | Output Noise Voltage | $B = 10\text{Hz}$ to 10KHz $T_J = 25^\circ\text{C}$ | | 100 | | μV |
| SVR | Supply Voltage Rejection | $I_O = 40\ \text{mA}$ $f = 120\text{Hz}$ $T_J = 25^\circ\text{C}$ $V_{in} = 5.5\ \text{V}$ $V_{ripple} = 1\ \text{V}_{PP}$ | 60 | 75 | | dB |
| V_d | Dropout Voltage | $I_O = 100\ \text{mA}$ | | 1 | 1.1 | V |
| | | $I_O = 500\ \text{mA}$ | | 1.05 | 1.15 | |
| | | $I_O = 800\ \text{mA}$ | | 1.10 | 1.2 | |
| | Thermal Regulation | $T_a = 25^\circ\text{C}$ 30ms Pulse | | 0.01 | 0.1 | %/W |

Table 6: Electrical Characteristics Of LD1117#25 (refer to the test circuits, $T_J = 0$ to 125°C , $C_O = 10\ \mu\text{F}$ unless otherwise specified)

| Symbol | Parameter | Test Conditions | Min. | Typ. | Max. | Unit |
|--------------|--------------------------|---|-------|------|-------|---------------|
| V_O | Output Voltage | $V_{in} = 4.5\ \text{V}$ $I_O = 10\ \text{mA}$ $T_J = 25^\circ\text{C}$ | 2.475 | 2.5 | 2.525 | V |
| V_O | Output Voltage | $I_O = 0$ to $800\ \text{mA}$ $V_{in} = 3.9$ to $10\ \text{V}$ | 2.45 | | 2.55 | V |
| ΔV_O | Line Regulation | $V_{in} = 3.9$ to $10\ \text{V}$ $I_O = 0\ \text{mA}$ | | 1 | 6 | mV |
| ΔV_O | Load Regulation | $V_{in} = 3.9\ \text{V}$ $I_O = 0$ to $800\ \text{mA}$ | | 1 | 10 | mV |
| ΔV_O | Temperature Stability | | | 0.5 | | % |
| ΔV_O | Long Term Stability | 1000 hrs, $T_J = 125^\circ\text{C}$ | | 0.3 | | % |
| V_{in} | Operating Input Voltage | $I_O = 100\ \text{mA}$ | | | 15 | V |
| I_d | Quiescent Current | $V_{in} \leq 10\ \text{V}$ | | 5 | 10 | mA |
| I_O | Output Current | $V_{in} = 7.5\ \text{V}$ $T_J = 25^\circ\text{C}$ | 800 | 950 | 1300 | mA |
| eN | Output Noise Voltage | $B = 10\text{Hz}$ to 10KHz $T_J = 25^\circ\text{C}$ | | 100 | | μV |
| SVR | Supply Voltage Rejection | $I_O = 40\ \text{mA}$ $f = 120\text{Hz}$ $T_J = 25^\circ\text{C}$ $V_{in} = 5.5\ \text{V}$ $V_{\text{ripple}} = 1\ \text{V}_{\text{PP}}$ | 60 | 75 | | dB |
| V_d | Dropout Voltage | $I_O = 100\ \text{mA}$ | | 1 | 1.1 | V |
| | | $I_O = 500\ \text{mA}$ | | 1.05 | 1.15 | |
| | | $I_O = 800\ \text{mA}$ | | 1.10 | 1.2 | |
| | Thermal Regulation | $T_a = 25^\circ\text{C}$ 30ms Pulse | | 0.01 | 0.1 | %/W |

Table 7: Electrical Characteristics Of LD1117#28 (refer to the test circuits, $T_J = 0$ to 125°C , $C_O = 10\ \mu\text{F}$ unless otherwise specified)

| Symbol | Parameter | Test Conditions | Min. | Typ. | Max. | Unit |
|--------------|--------------------------|--|------|------|------|---------------|
| V_O | Output Voltage | $V_{in} = 4.85\ \text{V}$ $I_O = 10\ \text{mA}$ $T_J = 25^\circ\text{C}$ | 2.82 | 2.85 | 2.88 | V |
| V_O | Output Voltage | $I_O = 0$ to $800\ \text{mA}$ $V_{in} = 4.25$ to $10\ \text{V}$ | 2.79 | | 2.91 | V |
| ΔV_O | Line Regulation | $V_{in} = 4.25$ to $10\ \text{V}$ $I_O = 0\ \text{mA}$ | | 1 | 6 | mV |
| ΔV_O | Load Regulation | $V_{in} = 4.25\ \text{V}$ $I_O = 0$ to $800\ \text{mA}$ | | 1 | 10 | mV |
| ΔV_O | Temperature Stability | | | 0.5 | | % |
| ΔV_O | Long Term Stability | 1000 hrs, $T_J = 125^\circ\text{C}$ | | 0.3 | | % |
| V_{in} | Operating Input Voltage | $I_O = 100\ \text{mA}$ | | | 15 | V |
| I_d | Quiescent Current | $V_{in} \leq 10\ \text{V}$ | | 5 | 10 | mA |
| I_O | Output Current | $V_{in} = 7.85\ \text{V}$ $T_J = 25^\circ\text{C}$ | 800 | 950 | 1300 | mA |
| eN | Output Noise Voltage | $B = 10\text{Hz}$ to 10KHz $T_J = 25^\circ\text{C}$ | | 100 | | μV |
| SVR | Supply Voltage Rejection | $I_O = 40\ \text{mA}$ $f = 120\text{Hz}$ $T_J = 25^\circ\text{C}$ $V_{in} = 5.85\ \text{V}$ $V_{\text{ripple}} = 1\ \text{V}_{\text{PP}}$ | 60 | 75 | | dB |
| V_d | Dropout Voltage | $I_O = 100\ \text{mA}$ | | 1 | 1.1 | V |
| | | $I_O = 500\ \text{mA}$ | | 1.05 | 1.15 | |
| | | $I_O = 800\ \text{mA}$ | | 1.10 | 1.2 | |
| | Thermal Regulation | $T_a = 25^\circ\text{C}$ 30ms Pulse | | 0.01 | 0.1 | %/W |

Table 8: Electrical Characteristics Of LD1117#30 (refer to the test circuits, $T_J = 0$ to 125°C , $C_O = 10\ \mu\text{F}$ unless otherwise specified)

| Symbol | Parameter | Test Conditions | Min. | Typ. | Max. | Unit |
|--------------|--------------------------|---|------|------|------|---------------|
| V_O | Output Voltage | $V_{in} = 5\ \text{V}$ $I_O = 10\ \text{mA}$ $T_J = 25^\circ\text{C}$ | 2.97 | 3 | 3.03 | V |
| V_O | Output Voltage | $I_O = 0$ to $800\ \text{mA}$ $V_{in} = 4.5$ to $10\ \text{V}$ | 2.94 | | 3.06 | V |
| ΔV_O | Line Regulation | $V_{in} = 4.5$ to $12\ \text{V}$ $I_O = 0\ \text{mA}$ | | 1 | 6 | mV |
| ΔV_O | Load Regulation | $V_{in} = 4.5\ \text{V}$ $I_O = 0$ to $800\ \text{mA}$ | | 1 | 10 | mV |
| ΔV_O | Temperature Stability | | | 0.5 | | % |
| ΔV_O | Long Term Stability | 1000 hrs, $T_J = 125^\circ\text{C}$ | | 0.3 | | % |
| V_{in} | Operating Input Voltage | $I_O = 100\ \text{mA}$ | | | 15 | V |
| I_d | Quiescent Current | $V_{in} \leq 12\ \text{V}$ | | 5 | 10 | mA |
| I_O | Output Current | $V_{in} = 8\ \text{V}$ $T_J = 25^\circ\text{C}$ | 800 | 950 | 1300 | mA |
| eN | Output Noise Voltage | $B = 10\text{Hz}$ to 10KHz $T_J = 25^\circ\text{C}$ | | 100 | | μV |
| SVR | Supply Voltage Rejection | $I_O = 40\ \text{mA}$ $f = 120\text{Hz}$ $T_J = 25^\circ\text{C}$ $V_{in} = 6\ \text{V}$ $V_{\text{ripple}} = 1\ \text{V}_{\text{PP}}$ | 60 | 75 | | dB |
| V_d | Dropout Voltage | $I_O = 100\ \text{mA}$ | | 1 | 1.1 | V |
| | | $I_O = 500\ \text{mA}$ | | 1.05 | 1.15 | |
| | | $I_O = 800\ \text{mA}$ | | 1.10 | 1.2 | |
| | Thermal Regulation | $T_a = 25^\circ\text{C}$ 30ms Pulse | | 0.01 | 0.1 | %/W |

Table 9: Electrical Characteristics Of LD1117#33 (refer to the test circuits, $T_J = 0$ to 125°C , $C_O = 10\ \mu\text{F}$ unless otherwise specified)

| Symbol | Parameter | Test Conditions | Min. | Typ. | Max. | Unit |
|--------------|--------------------------|---|-------|------|-------|---------------|
| V_O | Output Voltage | $V_{in} = 5.3\ \text{V}$ $I_O = 10\ \text{mA}$ $T_J = 25^\circ\text{C}$ | 3.267 | 3.3 | 3.333 | V |
| V_O | Output Voltage | $I_O = 0$ to $800\ \text{mA}$ $V_{in} = 4.75$ to $10\ \text{V}$ | 3.235 | | 3.365 | V |
| ΔV_O | Line Regulation | $V_{in} = 4.75$ to $15\ \text{V}$ $I_O = 0\ \text{mA}$ | | 1 | 6 | mV |
| ΔV_O | Load Regulation | $V_{in} = 4.75\ \text{V}$ $I_O = 0$ to $800\ \text{mA}$ | | 1 | 10 | mV |
| ΔV_O | Temperature Stability | | | 0.5 | | % |
| ΔV_O | Long Term Stability | 1000 hrs, $T_J = 125^\circ\text{C}$ | | 0.3 | | % |
| V_{in} | Operating Input Voltage | $I_O = 100\ \text{mA}$ | | | 15 | V |
| I_d | Quiescent Current | $V_{in} \leq 15\ \text{V}$ | | 5 | 10 | mA |
| I_O | Output Current | $V_{in} = 8.3\ \text{V}$ $T_J = 25^\circ\text{C}$ | 800 | 950 | 1300 | mA |
| eN | Output Noise Voltage | $B = 10\text{Hz}$ to 10KHz $T_J = 25^\circ\text{C}$ | | 100 | | μV |
| SVR | Supply Voltage Rejection | $I_O = 40\ \text{mA}$ $f = 120\text{Hz}$ $T_J = 25^\circ\text{C}$ $V_{in} = 6.3\ \text{V}$ $V_{\text{ripple}} = 1\ \text{V}_{\text{PP}}$ | 60 | 75 | | dB |
| V_d | Dropout Voltage | $I_O = 100\ \text{mA}$ | | 1 | 1.1 | V |
| | | $I_O = 500\ \text{mA}$ | | 1.05 | 1.15 | |
| | | $I_O = 800\ \text{mA}$ | | 1.10 | 1.2 | |
| | Thermal Regulation | $T_a = 25^\circ\text{C}$ 30ms Pulse | | 0.01 | 0.1 | %/W |

Table 10: Electrical Characteristics Of LD1117#50 (refer to the test circuits, $T_J = 0$ to 125°C , $C_O = 10\ \mu\text{F}$ unless otherwise specified)

| Symbol | Parameter | Test Conditions | Min. | Typ. | Max. | Unit |
|--------------|--------------------------|---|------|------|------|---------------|
| V_O | Output Voltage | $V_{in} = 7\ \text{V}$ $I_O = 10\ \text{mA}$ $T_J = 25^\circ\text{C}$ | 4.95 | 5 | 5.05 | V |
| V_O | Output Voltage | $I_O = 0$ to $800\ \text{mA}$ $V_{in} = 6.5$ to $15\ \text{V}$ | 4.9 | | 5.1 | V |
| ΔV_O | Line Regulation | $V_{in} = 6.5$ to $15\ \text{V}$ $I_O = 0\ \text{mA}$ | | 1 | 10 | mV |
| ΔV_O | Load Regulation | $V_{in} = 6.5\ \text{V}$ $I_O = 0$ to $800\ \text{mA}$ | | 1 | 15 | mV |
| ΔV_O | Temperature Stability | | | 0.5 | | % |
| ΔV_O | Long Term Stability | 1000 hrs, $T_J = 125^\circ\text{C}$ | | 0.3 | | % |
| V_{in} | Operating Input Voltage | $I_O = 100\ \text{mA}$ | | | 15 | V |
| I_d | Quiescent Current | $V_{in} \leq 15\ \text{V}$ | | 5 | 10 | mA |
| I_O | Output Current | $V_{in} = 10\ \text{V}$ $T_J = 25^\circ\text{C}$ | 800 | 950 | 1300 | mA |
| eN | Output Noise Voltage | $B = 10\text{Hz}$ to 10KHz $T_J = 25^\circ\text{C}$ | | 100 | | μV |
| SVR | Supply Voltage Rejection | $I_O = 40\ \text{mA}$ $f = 120\text{Hz}$ $T_J = 25^\circ\text{C}$ $V_{in} = 8\ \text{V}$ $V_{\text{ripple}} = 1\ \text{V}_{\text{PP}}$ | 60 | 75 | | dB |
| V_d | Dropout Voltage | $I_O = 100\ \text{mA}$ | | 1 | 1.1 | V |
| | | $I_O = 500\ \text{mA}$ | | 1.05 | 1.15 | |
| | | $I_O = 800\ \text{mA}$ | | 1.10 | 1.2 | |
| | Thermal Regulation | $T_a = 25^\circ\text{C}$ 30ms Pulse | | 0.01 | 0.1 | %/W |

Table 11: Electrical Characteristics Of LD1117 (ADJUSTABLE) (refer to the test circuits, $T_J = 0$ to 125°C , $C_O = 10\ \mu\text{F}$ unless otherwise specified)

| Symbol | Parameter | Test Conditions | Min. | Typ. | Max. | Unit |
|-------------------------|-------------------------------|---|-------|-------|-------|---------------|
| V_{ref} | Reference Voltage | $V_{in} - V_O = 2\ \text{V}$ $I_O = 10\ \text{mA}$ $T_J = 25^\circ\text{C}$ | 1.238 | 1.25 | 1.262 | V |
| V_{ref} | Reference Voltage | $I_O = 10$ to $800\ \text{mA}$ $V_{in} - V_O = 1.4$ to $10\ \text{V}$ | 1.225 | | 1.275 | V |
| ΔV_O | Line Regulation | $V_{in} - V_O = 1.5$ to $13.75\ \text{V}$ $I_O = 10\ \text{mA}$ | | 0.035 | 0.2 | % |
| ΔV_O | Load Regulation | $V_{in} - V_O = 3\ \text{V}$ $I_O = 10$ to $800\ \text{mA}$ | | 0.1 | 0.4 | % |
| ΔV_O | Temperature Stability | | | 0.5 | | % |
| ΔV_O | Long Term Stability | 1000 hrs, $T_J = 125^\circ\text{C}$ | | 0.3 | | % |
| V_{in} | Operating Input Voltage | | | | 15 | V |
| I_{adj} | Adjustment Pin Current | $V_{in} \leq 15\ \text{V}$ | | 60 | 120 | μA |
| ΔI_{adj} | Adjustment Pin Current Change | $V_{in} - V_O = 1.4$ to $10\ \text{V}$ $I_O = 10$ to $800\ \text{mA}$ | | 1 | 5 | μA |
| $I_{O(\text{min})}$ | Minimum Load Current | $V_{in} = 15\ \text{V}$ | | 2 | 5 | mA |
| I_O | Output Current | $V_{in} - V_O = 5\ \text{V}$ $T_J = 25^\circ\text{C}$ | 800 | 950 | 1300 | mA |
| eN | Output Noise ($\%V_O$) | $B = 10\text{Hz}$ to 10KHz $T_J = 25^\circ\text{C}$ | | 0.003 | | % |
| SVR | Supply Voltage Rejection | $I_O = 40\ \text{mA}$ $f = 120\text{Hz}$ $T_J = 25^\circ\text{C}$ $V_{in} - V_O = 3\ \text{V}$ $V_{\text{ripple}} = 1\ \text{V}_{\text{PP}}$ | 60 | 75 | | dB |
| V_d | Dropout Voltage | $I_O = 100\ \text{mA}$ | | 1 | 1.1 | V |
| | | $I_O = 500\ \text{mA}$ | | 1.05 | 1.15 | |
| | | $I_O = 800\ \text{mA}$ | | 1.10 | 1.2 | |
| | Thermal Regulation | $T_a = 25^\circ\text{C}$ 30ms Pulse | | 0.01 | 0.1 | %/W |

Table 12: Electrical Characteristics Of LD1117#12C (refer to the test circuits, $T_J = 0$ to 125°C , $C_O = 10\ \mu\text{F}$, $R = 120\ \Omega$ between GND and OUT pins, unless otherwise specified)

| Symbol | Parameter | Test Conditions | Min. | Typ. | Max. | Unit |
|-------------------------|----------------------------------|--|-------|-------|-------|---------------|
| V_{ref} | Reference Voltage | $V_{\text{in}} - V_{\text{O}} = 2\text{V}$ $I_{\text{O}} = 10\ \text{mA}$ $T_J = 25^\circ\text{C}$ | 1.176 | 1.20 | 1.224 | V |
| V_{ref} | Reference Voltage | $I_{\text{O}} = 10$ to $800\ \text{mA}$ $V_{\text{in}} - V_{\text{O}} = 1.4$ to $10\ \text{V}$ | 1.120 | 1.20 | 1.280 | V |
| ΔV_{O} | Line Regulation | $V_{\text{in}} - V_{\text{O}} = 1.5$ to $13.75\ \text{V}$ $I_{\text{O}} = 10\ \text{mA}$ | | | 1 | % |
| ΔV_{O} | Load Regulation | $V_{\text{in}} - V_{\text{O}} = 3\ \text{V}$ $I_{\text{O}} = 10$ to $800\ \text{mA}$ | | | 1 | % |
| ΔV_{O} | Temperature Stability | | | 0.5 | | % |
| ΔV_{O} | Long Term Stability | 1000 hrs, $T_J = 125^\circ\text{C}$ | | 0.3 | | % |
| V_{in} | Operating Input Voltage | | | | 15 | V |
| I_{adj} | Adjustment Pin Current | $V_{\text{in}} \leq 15\ \text{V}$ | | 60 | 120 | μA |
| ΔI_{adj} | Adjustment Pin Current Change | $V_{\text{in}} - V_{\text{O}} = 1.4$ to $10\ \text{V}$ $I_{\text{O}} = 10$ to $800\ \text{mA}$ | | 1 | 5 | μA |
| $I_{\text{O(min)}}$ | Minimum Load Current | $V_{\text{in}} = 15\ \text{V}$ | | 2 | 5 | mA |
| I_{O} | Output Current | $V_{\text{in}} - V_{\text{O}} = 5\ \text{V}$ $T_J = 25^\circ\text{C}$ | 800 | 950 | 1300 | mA |
| eN | Output Noise (% V_{O}) | $B = 10\text{Hz}$ to 10KHz $T_J = 25^\circ\text{C}$ | | 0.003 | | % |
| SVR | Supply Voltage Rejection | $I_{\text{O}} = 40\ \text{mA}$ $f = 120\text{Hz}$ $T_J = 25^\circ\text{C}$ $V_{\text{in}} - V_{\text{O}} = 3\ \text{V}$ $V_{\text{ripple}} = 1\ \text{V}_{\text{PP}}$ | 60 | 75 | | dB |
| V_{d} | Dropout Voltage | $I_{\text{O}} = 100\ \text{mA}$ $T_J = 0$ to 125°C | | 1 | 1.1 | V |
| | | $I_{\text{O}} = 500\ \text{mA}$ $T_J = 0$ to 125°C | | 1.05 | 1.2 | |
| | | $I_{\text{O}} = 800\ \text{mA}$ $T_J = 0$ to 125°C | | 1.10 | 1.3 | |
| | Thermal Regulation | $T_{\text{a}} = 25^\circ\text{C}$ 30ms Pulse | | 0.01 | 0.1 | %/W |

Table 13: Electrical Characteristics Of LD1117#18C (refer to the test circuits, $T_J = -40$ to 125°C , $C_O = 10\ \mu\text{F}$ unless otherwise specified)

| Symbol | Parameter | Test Conditions | Min. | Typ. | Max. | Unit |
|--------------|--------------------------|---|------|------|------|---------------|
| V_O | Output Voltage | $V_{in} = 3.8\ \text{V}$ $I_O = 10\ \text{mA}$ $T_J = 25^\circ\text{C}$ | 1.76 | 1.8 | 1.84 | V |
| V_O | Output Voltage | $I_O = 0$ to $800\ \text{mA}$ $V_{in} = 3.9$ to $10\ \text{V}$ | 1.73 | | 1.87 | V |
| ΔV_O | Line Regulation | $V_{in} = 3.3$ to $8\ \text{V}$ $I_O = 0\ \text{mA}$ | | 1 | 30 | mV |
| ΔV_O | Load Regulation | $V_{in} = 3.3\ \text{V}$ $I_O = 0$ to $800\ \text{mA}$ | | 1 | 30 | mV |
| ΔV_O | Temperature Stability | | | 0.5 | | % |
| ΔV_O | Long Term Stability | 1000 hrs, $T_J = 125^\circ\text{C}$ | | 0.3 | | % |
| V_{in} | Operating Input Voltage | $I_O = 100\ \text{mA}$ | | | 10 | V |
| I_d | Quiescent Current | $V_{in} \leq 8\ \text{V}$ | | 5 | 10 | mA |
| I_O | Output Current | $V_{in} = 6.8\ \text{V}$ $T_J = 25^\circ\text{C}$ | 800 | 950 | 1300 | mA |
| eN | Output Noise Voltage | $B = 10\text{Hz}$ to 10KHz $T_J = 25^\circ\text{C}$ | | 100 | | μV |
| SVR | Supply Voltage Rejection | $I_O = 40\ \text{mA}$ $f = 120\text{Hz}$ $T_J = 25^\circ\text{C}$ $V_{in} = 5.5\ \text{V}$ $V_{\text{ripple}} = 1\ \text{V}_{\text{PP}}$ | 60 | 75 | | dB |
| V_d | Dropout Voltage | $I_O = 100\ \text{mA}$ $T_J = 0$ to 125°C | | 1 | 1.1 | V |
| | | $I_O = 500\ \text{mA}$ $T_J = 0$ to 125°C | | 1.05 | 1.15 | |
| | | $I_O = 800\ \text{mA}$ $T_J = 0$ to 125°C | | 1.10 | 1.2 | |
| V_d | Dropout Voltage | $I_O = 100\ \text{mA}$ | | | 1.1 | V |
| | | $I_O = 500\ \text{mA}$ | | | 1.2 | |
| | | $I_O = 800\ \text{mA}$ | | | 1.3 | |
| | Thermal Regulation | $T_a = 25^\circ\text{C}$ 30ms Pulse | | 0.01 | 0.1 | %/W |

Table 14: Electrical Characteristics Of LD1117#25C (refer to the test circuits, $T_J = -40$ to 125°C , $C_O = 10 \mu\text{F}$ unless otherwise specified)

| Symbol | Parameter | Test Conditions | Min. | Typ. | Max. | Unit |
|--------------|--------------------------|--|------|------|------|---------------|
| V_O | Output Voltage | $V_{in} = 4.5 \text{ V}$ $I_O = 10 \text{ mA}$ $T_J = 25^\circ\text{C}$ | 2.45 | 2.5 | 2.55 | V |
| V_O | Output Voltage | $I_O = 0$ to 800 mA $V_{in} = 3.9$ to 10 V | 2.4 | | 2.6 | V |
| ΔV_O | Line Regulation | $V_{in} = 3.9$ to 10 V $I_O = 0 \text{ mA}$ | | 1 | 30 | mV |
| ΔV_O | Load Regulation | $V_{in} = 3.9 \text{ V}$ $I_O = 0$ to 800 mA | | 1 | 30 | mV |
| ΔV_O | Temperature Stability | | | 0.5 | | % |
| ΔV_O | Long Term Stability | 1000 hrs, $T_J = 125^\circ\text{C}$ | | 0.3 | | % |
| V_{in} | Operating Input Voltage | $I_O = 100 \text{ mA}$ | | | 15 | V |
| I_d | Quiescent Current | $V_{in} \leq 10 \text{ V}$ | | 5 | 10 | mA |
| I_O | Output Current | $V_{in} = 7.5 \text{ V}$ $T_J = 25^\circ\text{C}$ | 800 | 950 | 1300 | mA |
| eN | Output Noise Voltage | $B = 10\text{Hz}$ to 10KHz $T_J = 25^\circ\text{C}$ | | 100 | | μV |
| SVR | Supply Voltage Rejection | $I_O = 40 \text{ mA}$ $f = 120\text{Hz}$ $T_J = 25^\circ\text{C}$ $V_{in} = 5.5 \text{ V}$ $V_{\text{ripple}} = 1 \text{ V}_{PP}$ | 60 | 75 | | dB |
| V_d | Dropout Voltage | $I_O = 100 \text{ mA}$ $T_J = 0$ to 125°C | | 1 | 1.1 | V |
| | | $I_O = 500 \text{ mA}$ $T_J = 0$ to 125°C | | 1.05 | 1.15 | |
| | | $I_O = 800 \text{ mA}$ $T_J = 0$ to 125°C | | 1.10 | 1.2 | |
| V_d | Dropout Voltage | $I_O = 100 \text{ mA}$ | | | 1.1 | V |
| | | $I_O = 500 \text{ mA}$ | | | 1.2 | |
| | | $I_O = 800 \text{ mA}$ | | | 1.3 | |
| | Thermal Regulation | $T_a = 25^\circ\text{C}$ 30ms Pulse | | 0.01 | 0.1 | %/W |

Table 15: Electrical Characteristics Of LD1117#30C (refer to the test circuits, $T_J = -40$ to 125°C , $C_O = 10\ \mu\text{F}$ unless otherwise specified)

| Symbol | Parameter | Test Conditions | Min. | Typ. | Max. | Unit |
|--------------|--------------------------|---|------|------|------|---------------|
| V_O | Output Voltage | $V_{in} = 5\ \text{V}$ $I_O = 10\ \text{mA}$ $T_J = 25^\circ\text{C}$ | 2.94 | 3 | 3.06 | V |
| V_O | Output Voltage | $I_O = 0$ to $800\ \text{mA}$ $V_{in} = 4.5$ to $10\ \text{V}$ | 2.88 | | 3.12 | V |
| ΔV_O | Line Regulation | $V_{in} = 4.5$ to $12\ \text{V}$ $I_O = 0\ \text{mA}$ | | 1 | 30 | mV |
| ΔV_O | Load Regulation | $V_{in} = 4.5\ \text{V}$ $I_O = 0$ to $800\ \text{mA}$ | | 1 | 30 | mV |
| ΔV_O | Temperature Stability | | | 0.5 | | % |
| ΔV_O | Long Term Stability | 1000 hrs, $T_J = 125^\circ\text{C}$ | | 0.3 | | % |
| V_{in} | Operating Input Voltage | $I_O = 100\ \text{mA}$ | | | 15 | V |
| I_d | Quiescent Current | $V_{in} \leq 12\ \text{V}$ | | 5 | 10 | mA |
| I_O | Output Current | $V_{in} = 8\ \text{V}$ $T_J = 25^\circ\text{C}$ | 800 | 950 | 1300 | mA |
| eN | Output Noise Voltage | $B = 10\text{Hz}$ to 10KHz $T_J = 25^\circ\text{C}$ | | 100 | | μV |
| SVR | Supply Voltage Rejection | $I_O = 40\ \text{mA}$ $f = 120\text{Hz}$ $T_J = 25^\circ\text{C}$ $V_{in} = 6\ \text{V}$ $V_{\text{ripple}} = 1\ \text{V}_{\text{PP}}$ | 60 | 75 | | dB |
| V_d | Dropout Voltage | $I_O = 100\ \text{mA}$ $T_J = 0$ to 125°C | | 1 | 1.1 | V |
| | | $I_O = 500\ \text{mA}$ $T_J = 0$ to 125°C | | 1.05 | 1.15 | |
| | | $I_O = 800\ \text{mA}$ $T_J = 0$ to 125°C | | 1.10 | 1.2 | |
| V_d | Dropout Voltage | $I_O = 100\ \text{mA}$ | | | 1.1 | V |
| | | $I_O = 500\ \text{mA}$ | | | 1.2 | |
| | | $I_O = 800\ \text{mA}$ | | | 1.3 | |
| | Thermal Regulation | $T_a = 25^\circ\text{C}$ 30ms Pulse | | 0.01 | 0.1 | %/W |

Table 16: Electrical Characteristics Of LD1117#33C (refer to the test circuits, $T_J = -40$ to 125°C , $C_O = 10 \mu\text{F}$ unless otherwise specified)

| Symbol | Parameter | Test Conditions | Min. | Typ. | Max. | Unit |
|--------------|--------------------------|---|------|------|------|---------------|
| V_O | Output Voltage | $V_{in} = 5.3 \text{ V}$ $I_O = 10 \text{ mA}$ $T_J = 25^\circ\text{C}$ | 3.24 | 3.3 | 3.36 | V |
| V_O | Output Voltage | $I_O = 0$ to 800 mA $V_{in} = 4.75$ to 10 V | 3.16 | | 3.44 | V |
| ΔV_O | Line Regulation | $V_{in} = 4.75$ to 15 V $I_O = 0 \text{ mA}$ | | 1 | 30 | mV |
| ΔV_O | Load Regulation | $V_{in} = 4.75 \text{ V}$ $I_O = 0$ to 800 mA | | 1 | 30 | mV |
| ΔV_O | Temperature Stability | | | 0.5 | | % |
| ΔV_O | Long Term Stability | 1000 hrs, $T_J = 125^\circ\text{C}$ | | 0.3 | | % |
| V_{in} | Operating Input Voltage | $I_O = 100 \text{ mA}$ | | | 15 | V |
| I_d | Quiescent Current | $V_{in} \leq 15 \text{ V}$ | | 5 | 10 | mA |
| I_O | Output Current | $V_{in} = 8.3 \text{ V}$ $T_J = 25^\circ\text{C}$ | 800 | 950 | 1300 | mA |
| eN | Output Noise Voltage | $B = 10\text{Hz}$ to 10KHz $T_J = 25^\circ\text{C}$ | | 100 | | μV |
| SVR | Supply Voltage Rejection | $I_O = 40 \text{ mA}$ $f = 120\text{Hz}$ $T_J = 25^\circ\text{C}$ $V_{in} = 6.3 \text{ V}$ $V_{\text{ripple}} = 1 \text{ V}_{\text{PP}}$ | 60 | 75 | | dB |
| V_d | Dropout Voltage | $I_O = 100 \text{ mA}$ $T_J = 0$ to 125°C | | 1 | 1.1 | V |
| | | $I_O = 500 \text{ mA}$ $T_J = 0$ to 125°C | | 1.05 | 1.15 | |
| | | $I_O = 800 \text{ mA}$ $T_J = 0$ to 125°C | | 1.10 | 1.2 | |
| V_d | Dropout Voltage | $I_O = 100 \text{ mA}$ | | | 1.1 | V |
| | | $I_O = 500 \text{ mA}$ | | | 1.2 | |
| | | $I_O = 800 \text{ mA}$ | | | 1.3 | |
| | Thermal Regulation | $T_a = 25^\circ\text{C}$ 30ms Pulse | | 0.01 | 0.1 | %/W |

Table 17: Electrical Characteristics Of LD1117#50C (refer to the test circuits, $T_J = -40$ to 125°C , $C_O = 10\ \mu\text{F}$ unless otherwise specified)

| Symbol | Parameter | Test Conditions | Min. | Typ. | Max. | Unit |
|--------------|--------------------------|---|------|------|------|---------------|
| V_O | Output Voltage | $V_{in} = 7\ \text{V}$ $I_O = 10\ \text{mA}$ $T_J = 25^\circ\text{C}$ | 4.9 | 5 | 5.1 | V |
| V_O | Output Voltage | $I_O = 0$ to $800\ \text{mA}$ $V_{in} = 6.5$ to $15\ \text{V}$ | 4.8 | | 5.2 | V |
| ΔV_O | Line Regulation | $V_{in} = 6.5$ to $15\ \text{V}$ $I_O = 0\ \text{mA}$ | | 1 | 50 | mV |
| ΔV_O | Load Regulation | $V_{in} = 6.5\ \text{V}$ $I_O = 0$ to $800\ \text{mA}$ | | 1 | 50 | mV |
| ΔV_O | Temperature Stability | | | 0.5 | | % |
| ΔV_O | Long Term Stability | 1000 hrs, $T_J = 125^\circ\text{C}$ | | 0.3 | | % |
| V_{in} | Operating Input Voltage | $I_O = 100\ \text{mA}$ | | | 15 | V |
| I_d | Quiescent Current | $V_{in} \leq 15\ \text{V}$ | | 5 | 10 | mA |
| I_O | Output Current | $V_{in} = 10\ \text{V}$ $T_J = 25^\circ\text{C}$ | 800 | 950 | 1300 | mA |
| eN | Output Noise Voltage | $B = 10\text{Hz}$ to 10KHz $T_J = 25^\circ\text{C}$ | | 100 | | μV |
| SVR | Supply Voltage Rejection | $I_O = 40\ \text{mA}$ $f = 120\text{Hz}$ $T_J = 25^\circ\text{C}$ $V_{in} = 8\ \text{V}$ $V_{\text{ripple}} = 1\ \text{V}_{\text{PP}}$ | 60 | 75 | | dB |
| V_d | Dropout Voltage | $I_O = 100\ \text{mA}$ $T_J = 0$ to 125°C | | 1 | 1.1 | V |
| | | $I_O = 500\ \text{mA}$ $T_J = 0$ to 125°C | | 1.05 | 1.15 | |
| | | $I_O = 800\ \text{mA}$ $T_J = 0$ to 125°C | | 1.10 | 1.2 | |
| V_d | Dropout Voltage | $I_O = 100\ \text{mA}$ | | | 1.1 | V |
| | | $I_O = 500\ \text{mA}$ | | | 1.2 | |
| | | $I_O = 800\ \text{mA}$ | | | 1.3 | |
| | Thermal Regulation | $T_a = 25^\circ\text{C}$ 30ms Pulse | | 0.01 | 0.1 | %/W |

Table 18: Electrical Characteristics Of LD1117C (ADJUSTABLE) (refer to the test circuits, $T_J = -40$ to 125°C , $C_O = 10\ \mu\text{F}$ unless otherwise specified)

| Symbol | Parameter | Test Conditions | Min. | Typ. | Max. | Unit |
|------------------|-------------------------------|---|-------|-------|-------|---------------|
| V_{ref} | Reference Voltage | $V_{in} - V_O = 2\ \text{V}$ $I_O = 10\ \text{mA}$ $T_J = 25^\circ\text{C}$ | 1.225 | 1.25 | 1.275 | V |
| V_{ref} | Reference Voltage | $I_O = 10$ to $800\ \text{mA}$ $V_{in} - V_O = 1.4$ to $10\ \text{V}$ | 1.2 | | 1.3 | V |
| ΔV_O | Line Regulation | $V_{in} - V_O = 1.5$ to $13.75\ \text{V}$ $I_O = 10\ \text{mA}$ | | | 1 | % |
| ΔV_O | Load Regulation | $V_{in} - V_O = 3\ \text{V}$ $I_O = 10$ to $800\ \text{mA}$ | | | 1 | % |
| ΔV_O | Temperature Stability | | | 0.5 | | % |
| ΔV_O | Long Term Stability | 1000 hrs, $T_J = 125^\circ\text{C}$ | | 0.3 | | % |
| V_{in} | Operating Input Voltage | | | | 15 | V |
| I_{adj} | Adjustment Pin Current | $V_{in} \leq 15\ \text{V}$ | | 60 | 120 | μA |
| ΔI_{adj} | Adjustment Pin Current Change | $V_{in} - V_O = 1.4$ to $10\ \text{V}$ $I_O = 10$ to $800\ \text{mA}$ | | 1 | 10 | μA |
| $I_{O(min)}$ | Minimum Load Current | $V_{in} = 15\ \text{V}$ | | 2 | 5 | mA |
| I_O | Output Current | $V_{in} - V_O = 5\ \text{V}$ $T_J = 25^\circ\text{C}$ | 800 | 950 | 1300 | mA |
| eN | Output Noise (% V_O) | $B = 10\text{Hz}$ to 10KHz $T_J = 25^\circ\text{C}$ | | 0.003 | | % |
| SVR | Supply Voltage Rejection | $I_O = 40\ \text{mA}$ $f = 120\text{Hz}$ $T_J = 25^\circ\text{C}$ $V_{in} - V_O = 3\ \text{V}$ $V_{ripple} = 1\ \text{V}_{PP}$ | 60 | 75 | | dB |
| V_d | Dropout Voltage | $I_O = 100\ \text{mA}$ $T_J = 0$ to 125°C | | 1 | 1.1 | V |
| | | $I_O = 500\ \text{mA}$ $T_J = 0$ to 125°C | | 1.05 | 1.15 | |
| | | $I_O = 800\ \text{mA}$ $T_J = 0$ to 125°C | | 1.10 | 1.2 | |
| V_d | Dropout Voltage | $I_O = 100\ \text{mA}$ | | | 1.1 | V |
| | | $I_O = 500\ \text{mA}$ | | | 1.2 | |
| | | $I_O = 800\ \text{mA}$ | | | 1.3 | |
| | Thermal Regulation | $T_a = 25^\circ\text{C}$ 30ms Pulse | | 0.01 | 0.1 | %/W |

TYPICAL APPLICATIONS

Figure 5: Negative Supply

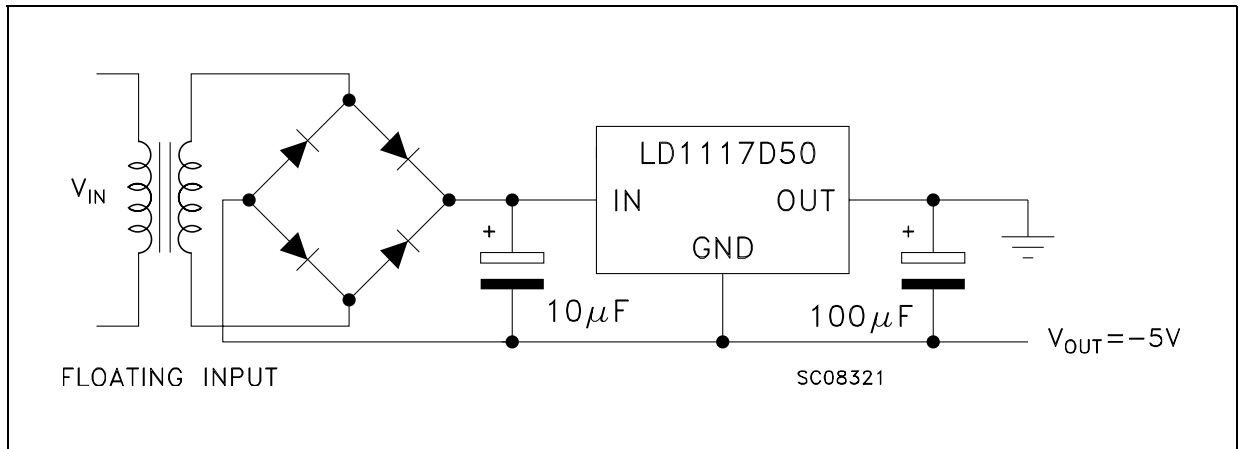


Figure 6: Active Terminator for SCSI-2 BUS

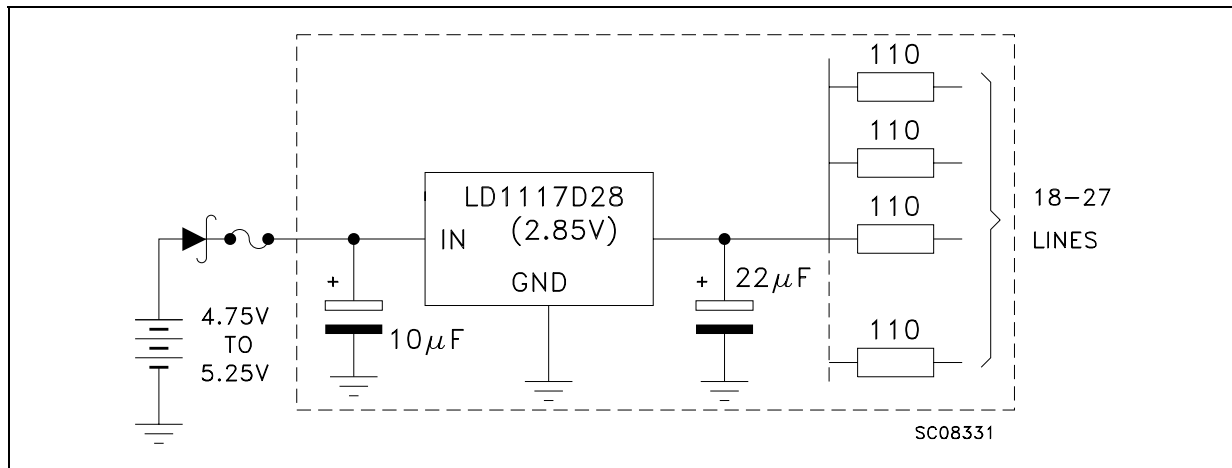


Figure 7: Circuit for Increasing Output Voltage

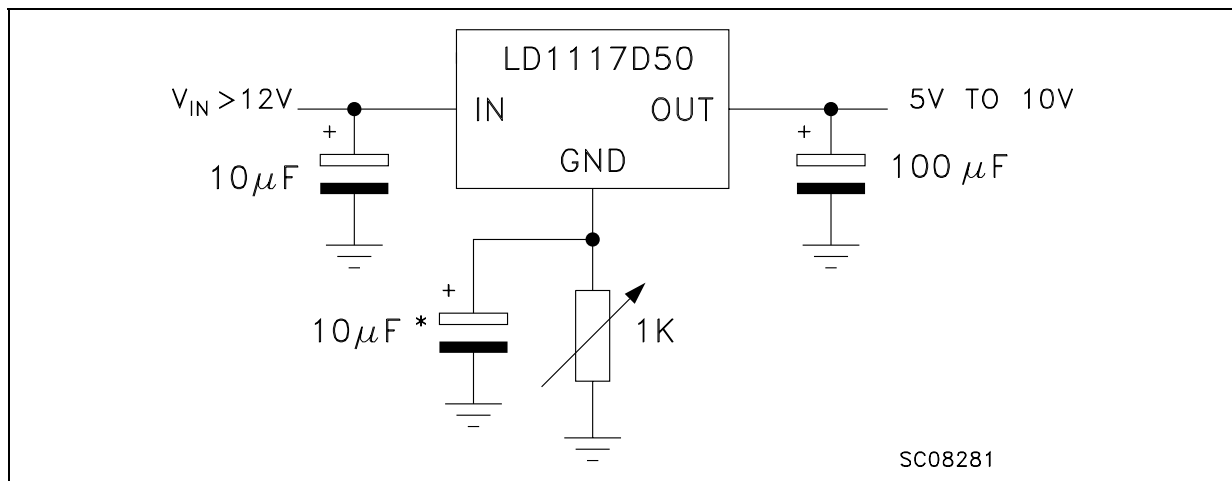


Figure 8: Voltage Regulator With Reference

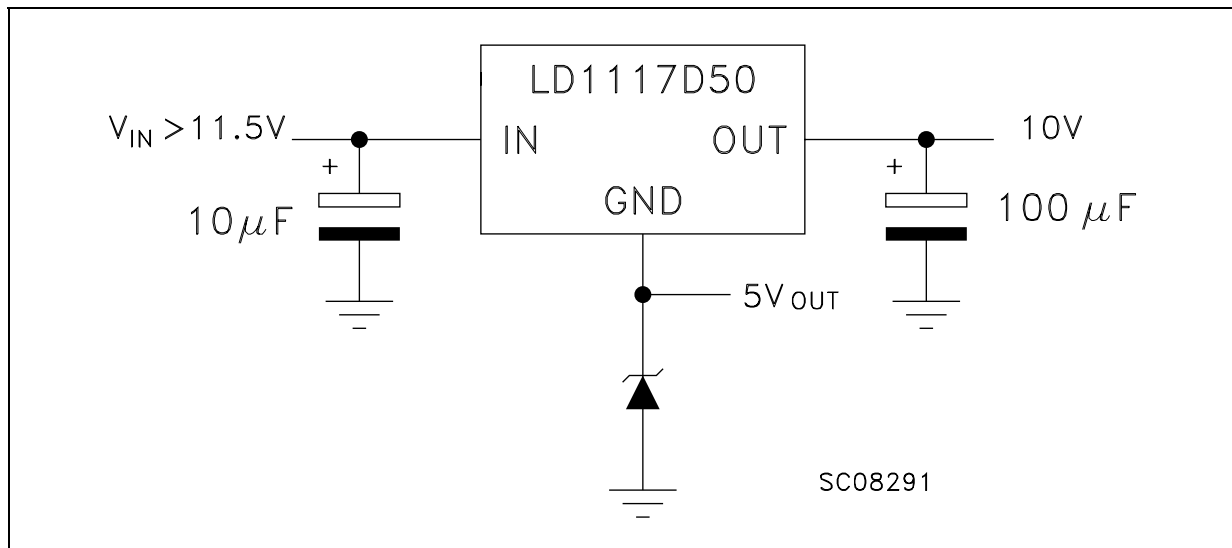


Figure 9: Battery Backed-up Regulated Supply

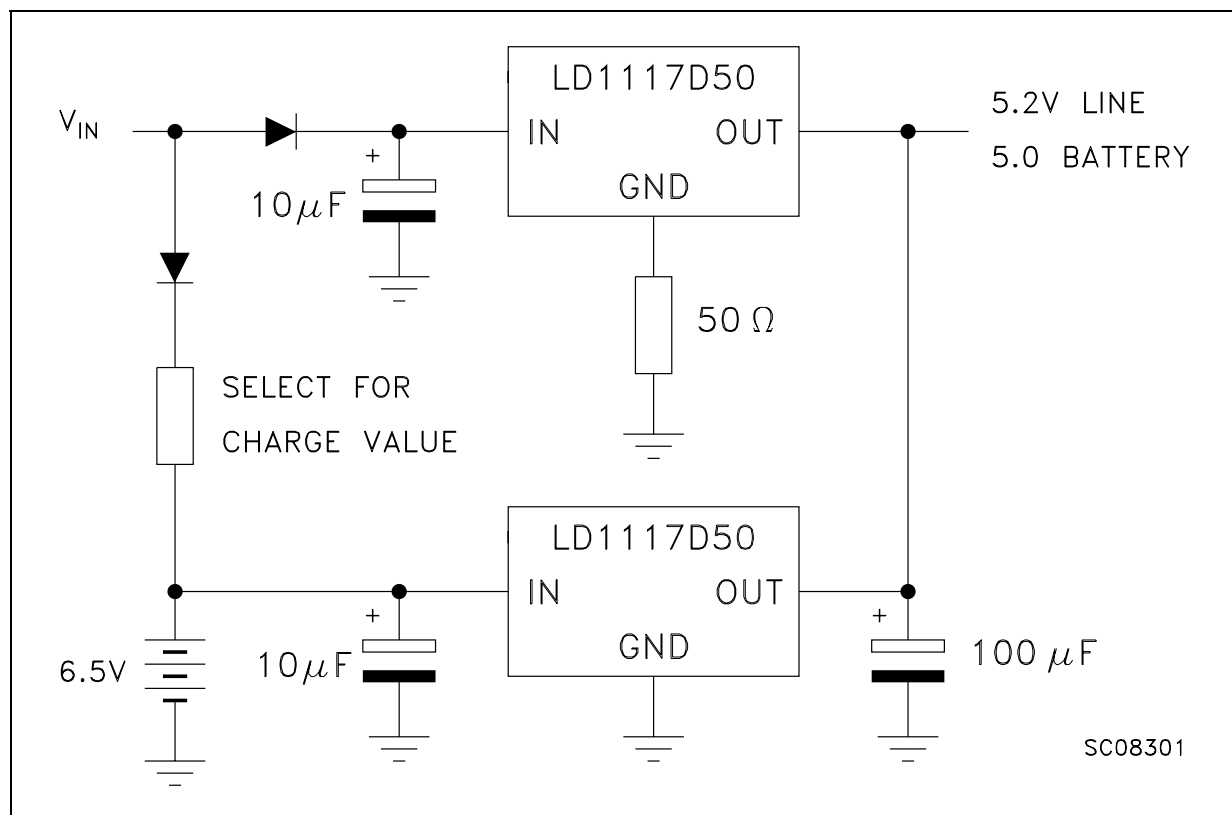


Figure 11: Adjustable Output Voltage Application

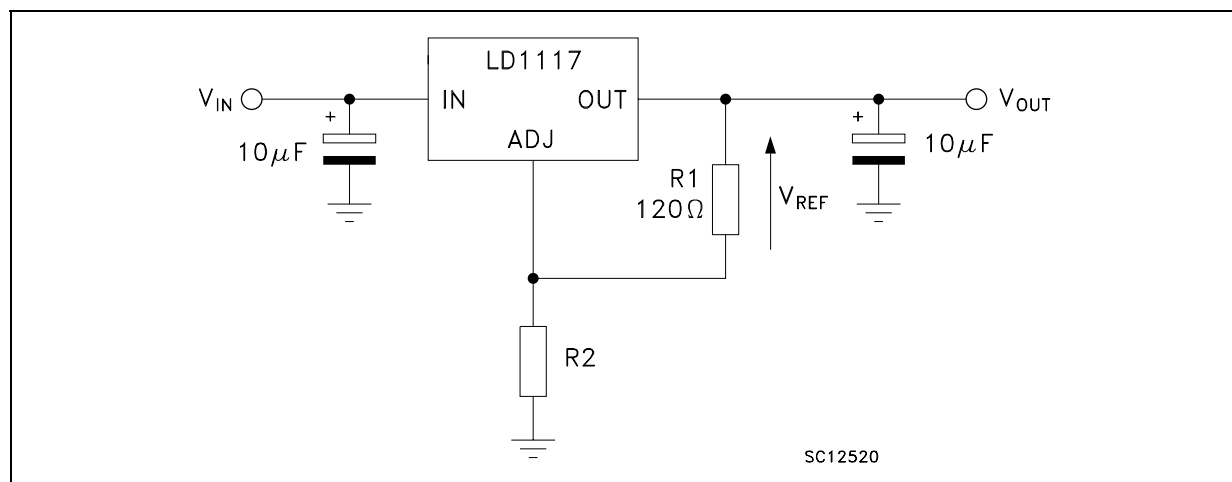
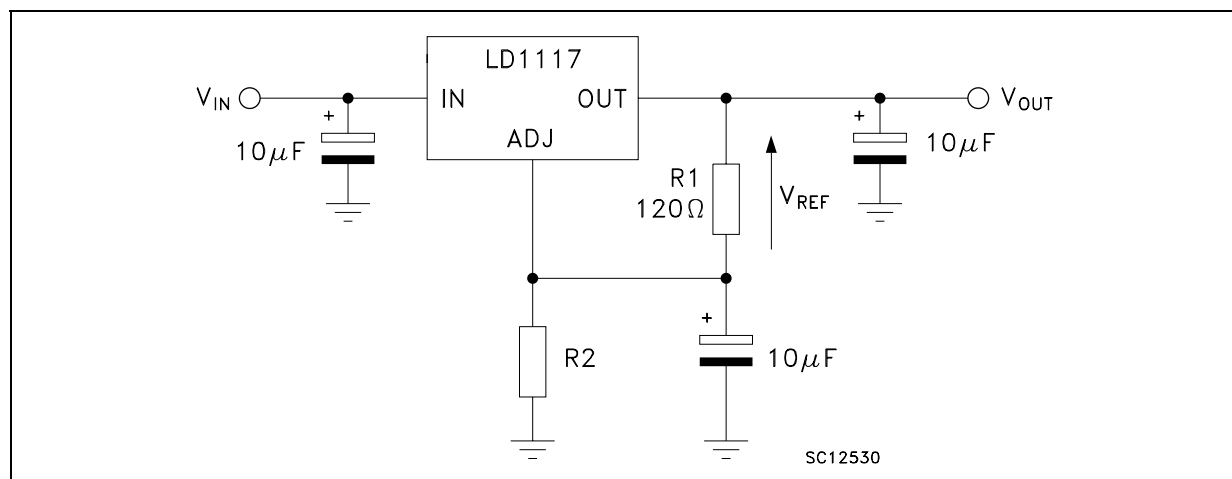
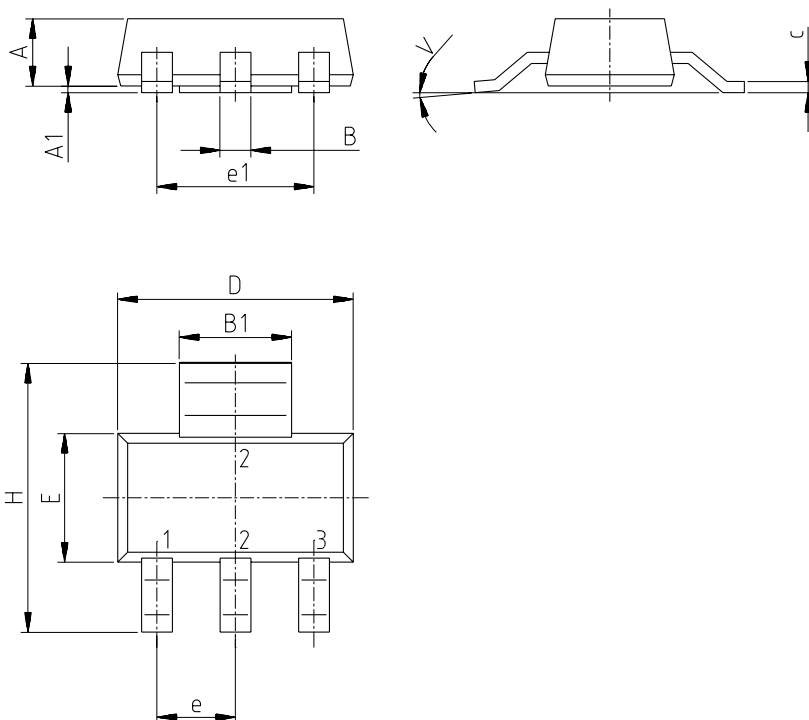


Figure 12: Adjustable Output Voltage Application with improved Ripple Rejection



SOT-223 MECHANICAL DATA

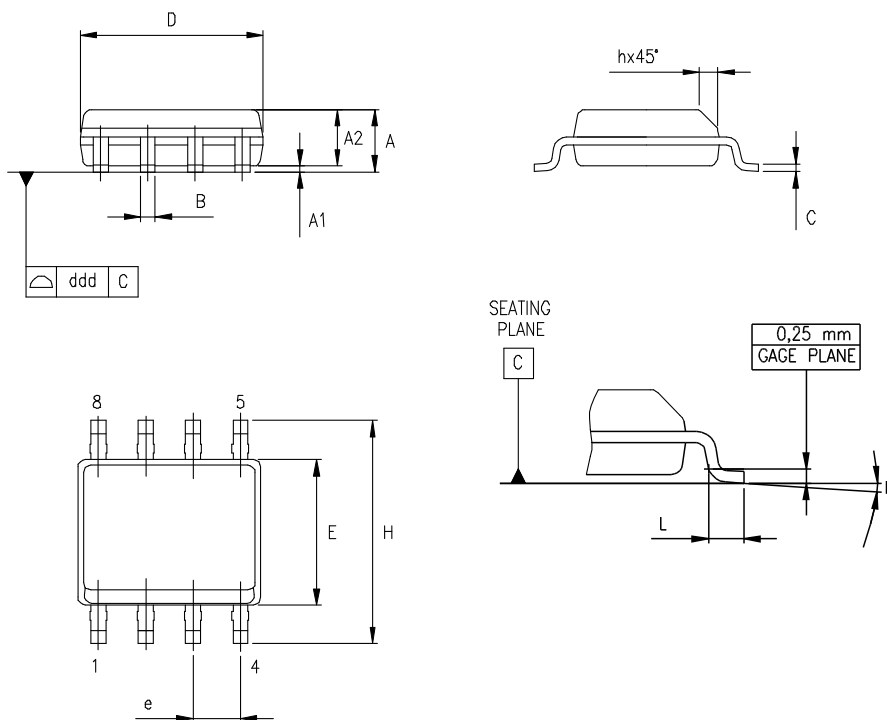
| DIM. | mm. | | | mils | | |
|------|------|------|------|-------|-------|-------|
| | MIN. | TYP | MAX. | MIN. | TYP. | MAX. |
| A | | | 1.8 | | | 70.9 |
| A1 | 0.02 | | 0.1 | 0.8 | | 3.9 |
| B | 0.6 | 0.7 | 0.85 | 23.6 | 27.6 | 33.5 |
| B1 | 2.9 | 3 | 3.15 | 114.2 | 118.1 | 124.0 |
| c | 0.24 | 0.26 | 0.35 | 9.4 | 10.2 | 13.8 |
| D | 6.3 | 6.5 | 6.7 | 248.0 | 255.9 | 263.8 |
| e | | 2.3 | | | 90.6 | |
| e1 | | 4.6 | | | 181.1 | |
| E | 3.3 | 3.5 | 3.7 | 129.9 | 137.8 | 145.7 |
| H | 6.7 | 7 | 7.3 | 129.9 | 137.8 | 145.7 |
| V | | | 10° | | | 10° |



0046067/H

SO-8 MECHANICAL DATA

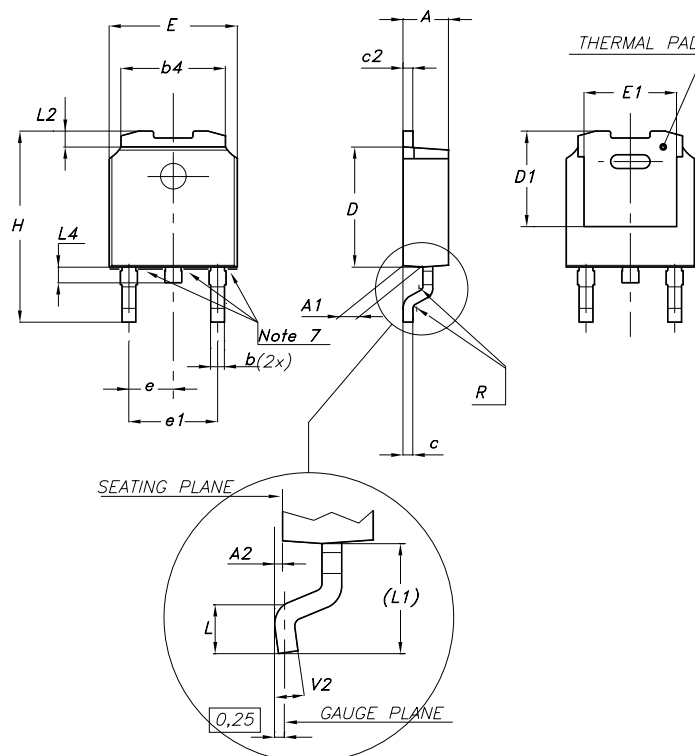
| DIM. | mm. | | | inch | | |
|------|--------------------|------|------|-------|-------|-------|
| | MIN. | TYP. | MAX. | MIN. | TYP. | MAX. |
| A | 1.35 | | 1.75 | 0.053 | | 0.069 |
| A1 | 0.10 | | 0.25 | 0.04 | | 0.010 |
| A2 | 1.10 | | 1.65 | 0.043 | | 0.065 |
| B | 0.33 | | 0.51 | 0.013 | | 0.020 |
| C | 0.19 | | 0.25 | 0.007 | | 0.010 |
| D | 4.80 | | 5.00 | 0.189 | | 0.197 |
| E | 3.80 | | 4.00 | 0.150 | | 0.157 |
| e | | 1.27 | | | 0.050 | |
| H | 5.80 | | 6.20 | 0.228 | | 0.244 |
| h | 0.25 | | 0.50 | 0.010 | | 0.020 |
| L | 0.40 | | 1.27 | 0.016 | | 0.050 |
| k | 8° (max.) | | | | | |
| ddd | | | 0.1 | | | 0.04 |



0016023/C

DPAK MECHANICAL DATA

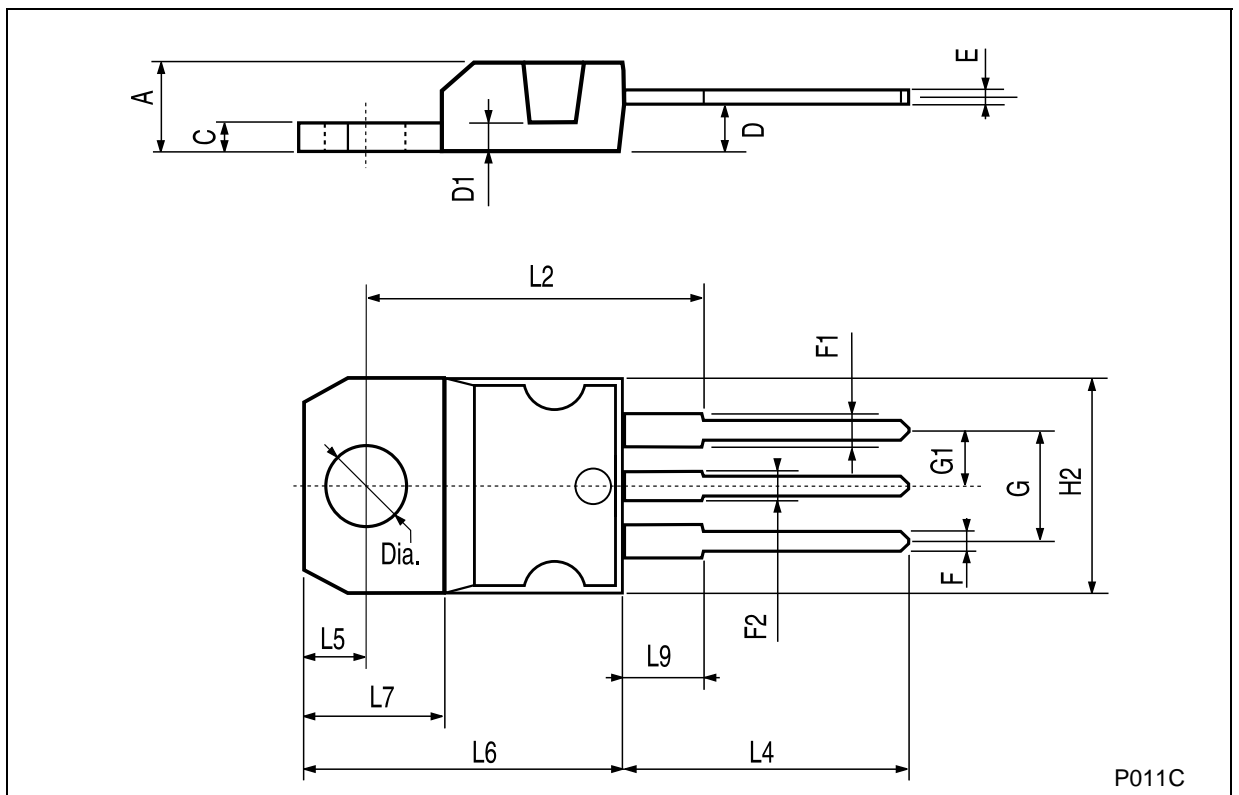
| DIM. | mm. | | | inch | | |
|------|------|------|------|-------|-------|-------|
| | MIN. | TYP | MAX. | MIN. | TYP. | MAX. |
| A | 2.2 | | 2.4 | 0.086 | | 0.094 |
| A1 | 0.9 | | 1.1 | 0.035 | | 0.043 |
| A2 | 0.03 | | 0.23 | 0.001 | | 0.009 |
| B | 0.64 | | 0.9 | 0.025 | | 0.035 |
| B2 | 5.2 | | 5.4 | 0.204 | | 0.212 |
| C | 0.45 | | 0.6 | 0.017 | | 0.023 |
| C2 | 0.48 | | 0.6 | 0.019 | | 0.023 |
| D | 6 | | 6.2 | 0.236 | | 0.244 |
| D1 | | 5.1 | | | 0.200 | |
| E | 6.4 | | 6.6 | 0.252 | | 0.260 |
| E1 | | 4.7 | | | 0.185 | |
| e | | 2.28 | | | 0.090 | |
| e1 | 4.4 | | 4.6 | 0.173 | | 0.181 |
| H | 9.35 | | 10.1 | 0.368 | | 0.397 |
| L | 1 | | | 0.039 | | |
| (L1) | | 2.8 | | | 0.110 | |
| L2 | | 0.8 | | | 0.031 | |
| L4 | 0.6 | | 1 | 0.023 | | 0.039 |



0068772-F

TO-220 MECHANICAL DATA

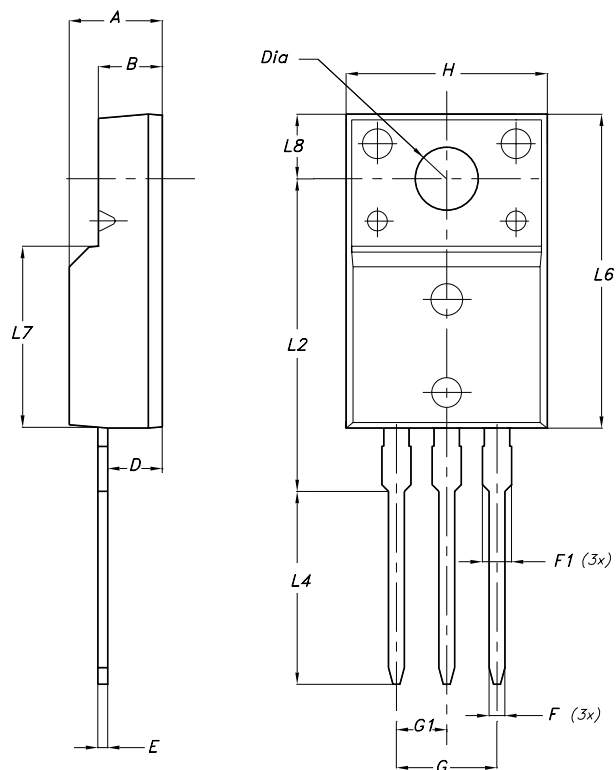
| DIM. | mm. | | | inch | | |
|------|-------|------|-------|-------|-------|-------|
| | MIN. | TYP | MAX. | MIN. | TYP. | MAX. |
| A | 4.40 | | 4.60 | 0.173 | | 0.181 |
| C | 1.23 | | 1.32 | 0.048 | | 0.051 |
| D | 2.40 | | 2.72 | 0.094 | | 0.107 |
| D1 | | 1.27 | | | 0.050 | |
| E | 0.49 | | 0.70 | 0.019 | | 0.027 |
| F | 0.61 | | 0.88 | 0.024 | | 0.034 |
| F1 | 1.14 | | 1.70 | 0.044 | | 0.067 |
| F2 | 1.14 | | 1.70 | 0.044 | | 0.067 |
| G | 4.95 | | 5.15 | 0.194 | | 0.203 |
| G1 | 2.4 | | 2.7 | 0.094 | | 0.106 |
| H2 | 10.0 | | 10.40 | 0.393 | | 0.409 |
| L2 | | 16.4 | | | 0.645 | |
| L4 | 13.0 | | 14.0 | 0.511 | | 0.551 |
| L5 | 2.65 | | 2.95 | 0.104 | | 0.116 |
| L6 | 15.25 | | 15.75 | 0.600 | | 0.620 |
| L7 | 6.2 | | 6.6 | 0.244 | | 0.260 |
| L9 | 3.5 | | 3.93 | 0.137 | | 0.154 |
| DIA. | 3.75 | | 3.85 | 0.147 | | 0.151 |



P011C

TO-220FM MECHANICAL DATA

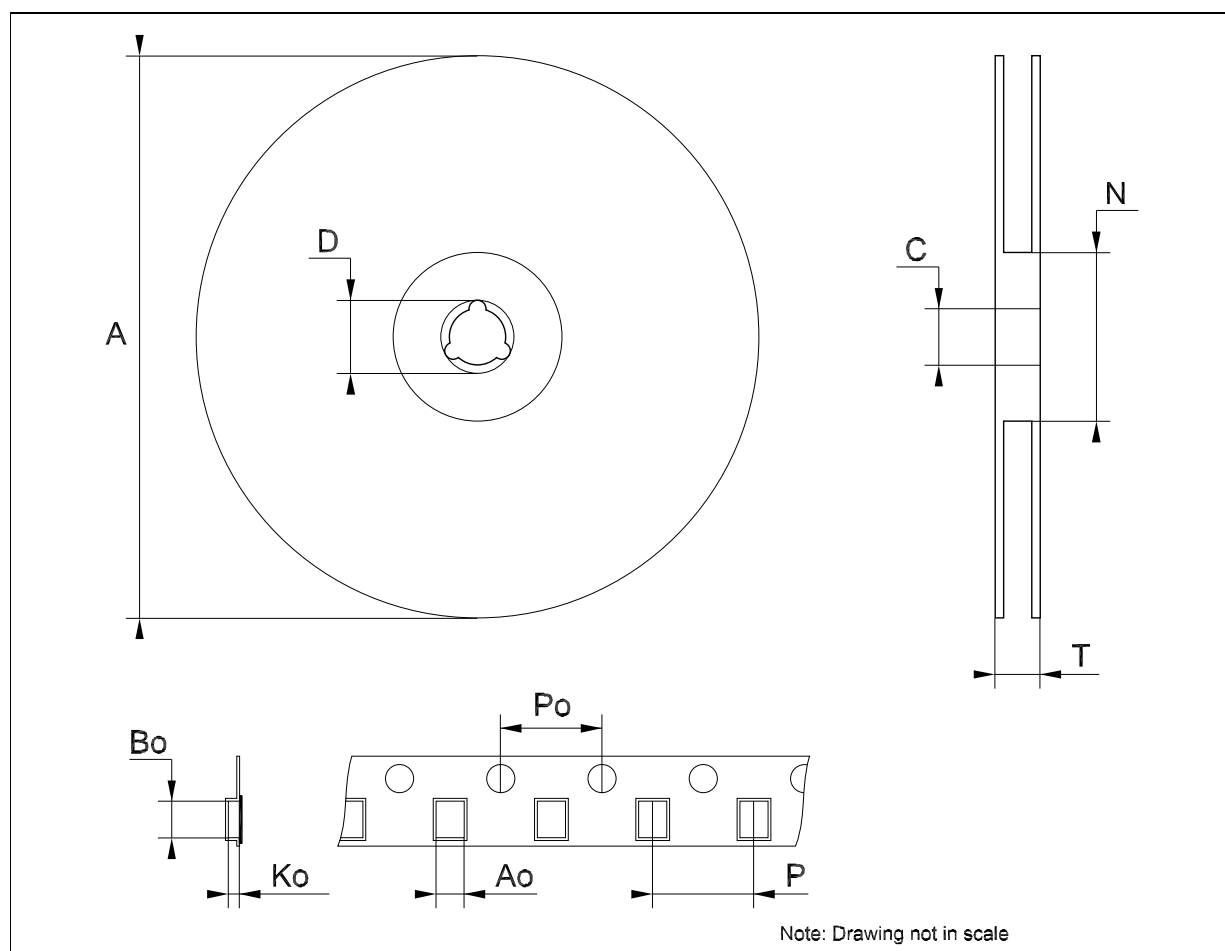
| DIM. | mm. | | | inch | | |
|------|-------|------|-------|-------|-------|-------|
| | MIN. | TYP | MAX. | MIN. | TYP. | MAX. |
| A | 4.50 | | 4.90 | 0.177 | | 0.193 |
| B | 2.34 | | 2.74 | 0.092 | | 0.108 |
| D | 2.56 | | 2.96 | 0.101 | | 0.117 |
| E | 0.45 | 0.50 | 0.60 | 0.018 | 0.020 | 0.024 |
| F | 0.70 | | 0.90 | 0.028 | | 0.035 |
| F1 | | | 1.47 | | | 0.058 |
| G | | 5.08 | | | 0.200 | |
| G1 | 2.34 | 2.54 | 2.74 | 0.092 | 0.100 | 0.108 |
| H | 9.96 | | 10.36 | 0.392 | | 0.408 |
| L2 | | 15.8 | | | 0.622 | |
| L4 | 9.45 | | 10.05 | 0.372 | | 0.396 |
| L6 | 15.67 | | 16.07 | 0.617 | | 0.633 |
| L7 | 8.99 | | 9.39 | 0.354 | | 0.370 |
| L8 | | 3.30 | | | 0.130 | |
| DIA. | 3.08 | | 3.28 | 0.121 | | 0.129 |



7012510C-H

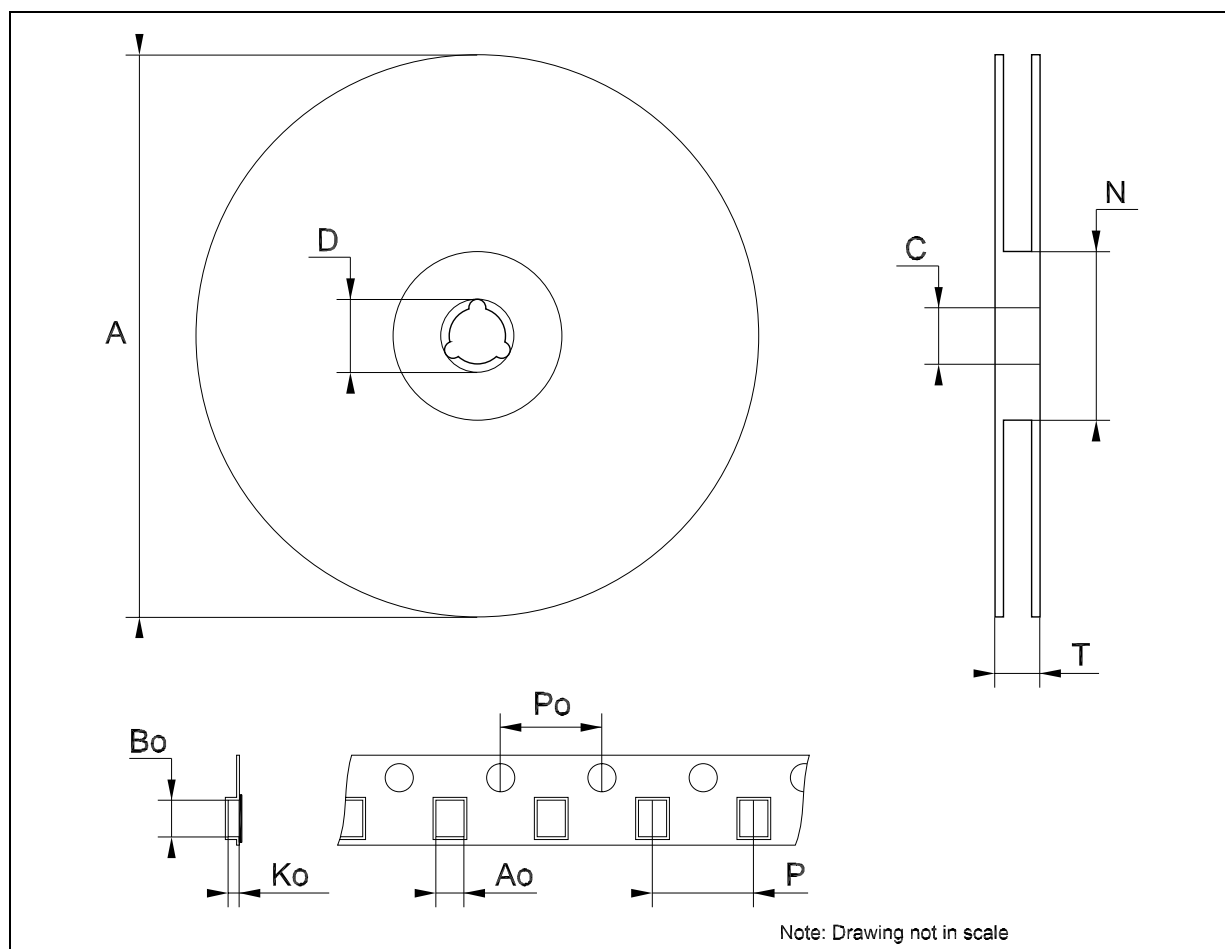
Tape & Reel SOT223 MECHANICAL DATA

| DIM. | mm. | | | inch | | |
|------|------|------|------|-------|-------|--------|
| | MIN. | TYP | MAX. | MIN. | TYP. | MAX. |
| A | | | 330 | | | 12.992 |
| C | 12.8 | 13.0 | 13.2 | 0.504 | 0.512 | 0.519 |
| D | 20.2 | | | 0.795 | | |
| N | 60 | | | 2.362 | | |
| T | | | 14.4 | | | 0.567 |
| Ao | 6.73 | 6.83 | 6.93 | 0.265 | 0.269 | 0.273 |
| Bo | 7.32 | 7.42 | 7.52 | 0.288 | 0.292 | 0.296 |
| Ko | 1.78 | | 2 | 0.070 | | 0.078 |
| Po | 3.9 | 4.0 | 4.1 | 0.153 | 0.157 | 0.161 |
| P | 7.9 | 8.0 | 8.1 | 0.311 | 0.315 | 0.319 |



Tape & Reel SO-8 MECHANICAL DATA

| DIM. | mm. | | | inch | | |
|------|------|-----|------|-------|------|--------|
| | MIN. | TYP | MAX. | MIN. | TYP. | MAX. |
| A | | | 330 | | | 12.992 |
| C | 12.8 | | 13.2 | 0.504 | | 0.519 |
| D | 20.2 | | | 0.795 | | |
| N | 60 | | | 2.362 | | |
| T | | | 22.4 | | | 0.882 |
| Ao | 8.1 | | 8.5 | 0.319 | | 0.335 |
| Bo | 5.5 | | 5.9 | 0.216 | | 0.232 |
| Ko | 2.1 | | 2.3 | 0.082 | | 0.090 |
| Po | 3.9 | | 4.1 | 0.153 | | 0.161 |
| P | 7.9 | | 8.1 | 0.311 | | 0.319 |



Tape & Reel DPAK-PPAK MECHANICAL DATA

| DIM. | mm. | | | inch | | |
|------|-------|-------|-------|-------|-------|--------|
| | MIN. | TYP | MAX. | MIN. | TYP. | MAX. |
| A | | | 330 | | | 12.992 |
| C | 12.8 | 13.0 | 13.2 | 0.504 | 0.512 | 0.519 |
| D | 20.2 | | | 0.795 | | |
| N | 60 | | | 2.362 | | |
| T | | | 22.4 | | | 0.882 |
| Ao | 6.80 | 6.90 | 7.00 | 0.268 | 0.272 | 0.276 |
| Bo | 10.40 | 10.50 | 10.60 | 0.409 | 0.413 | 0.417 |
| Ko | 2.55 | 2.65 | 2.75 | 0.100 | 0.104 | 0.105 |
| Po | 3.9 | 4.0 | 4.1 | 0.153 | 0.157 | 0.161 |
| P | 7.9 | 8.0 | 8.1 | 0.311 | 0.315 | 0.319 |

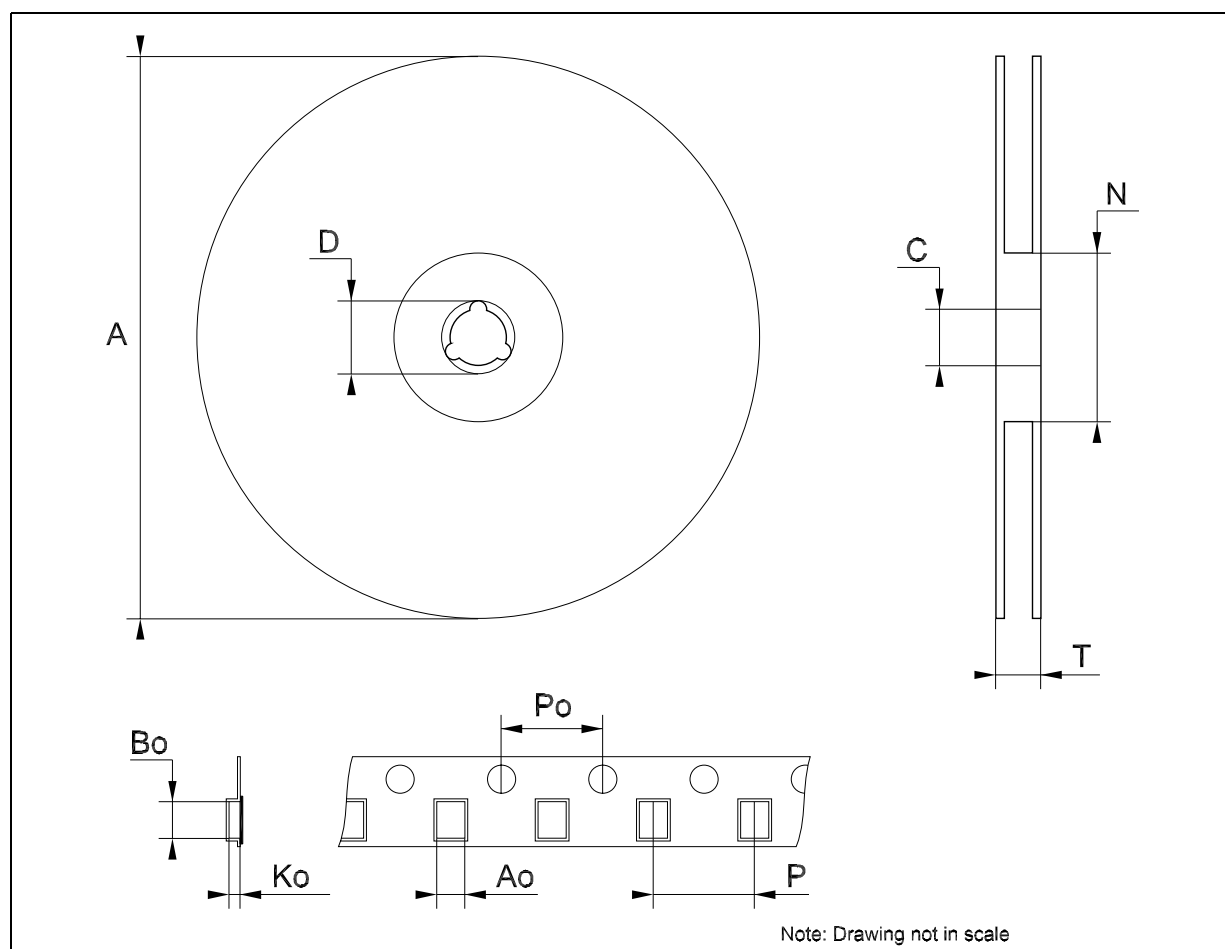


Table 19: Revision History

| Date | Revision | Description of Changes |
|-------------|----------|--|
| 22-Sep-2004 | 15.0 | Add new Part Number #12C; Typing Error: Note on table 2. |
| 25-Oct-2004 | 16.0 | Add V_{ref} Reference Voltage on Table 12. |

Information furnished is believed to be accurate and reliable. However, STMicroelectronics assumes no responsibility for the consequences of use of such information nor for any infringement of patents or other rights of third parties which may result from its use. No license is granted by implication or otherwise under any patent or patent rights of STMicroelectronics. Specifications mentioned in this publication are subject to change without notice. This publication supersedes and replaces all information previously supplied. STMicroelectronics products are not authorized for use as critical components in life support devices or systems without express written approval of STMicroelectronics.

The ST logo is a registered trademark of STMicroelectronics

All other names are the property of their respective owners

© 2004 STMicroelectronics - All Rights Reserved

STMicroelectronics group of companies

Australia - Belgium - Brazil - Canada - China - Czech Republic - Finland - France - Germany - Hong Kong - India - Israel - Italy - Japan - Malaysia - Malta - Morocco - Singapore - Spain - Sweden - Switzerland - United Kingdom - United States of America

www.st.com

This datasheet has been download from:

www.datasheetcatalog.com

Datasheets for electronics components.